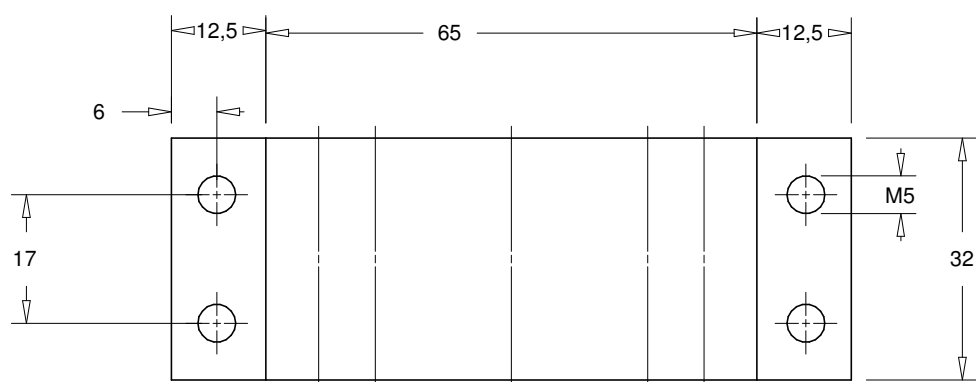
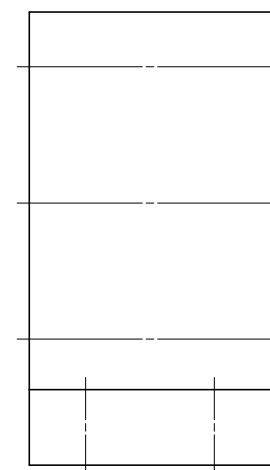
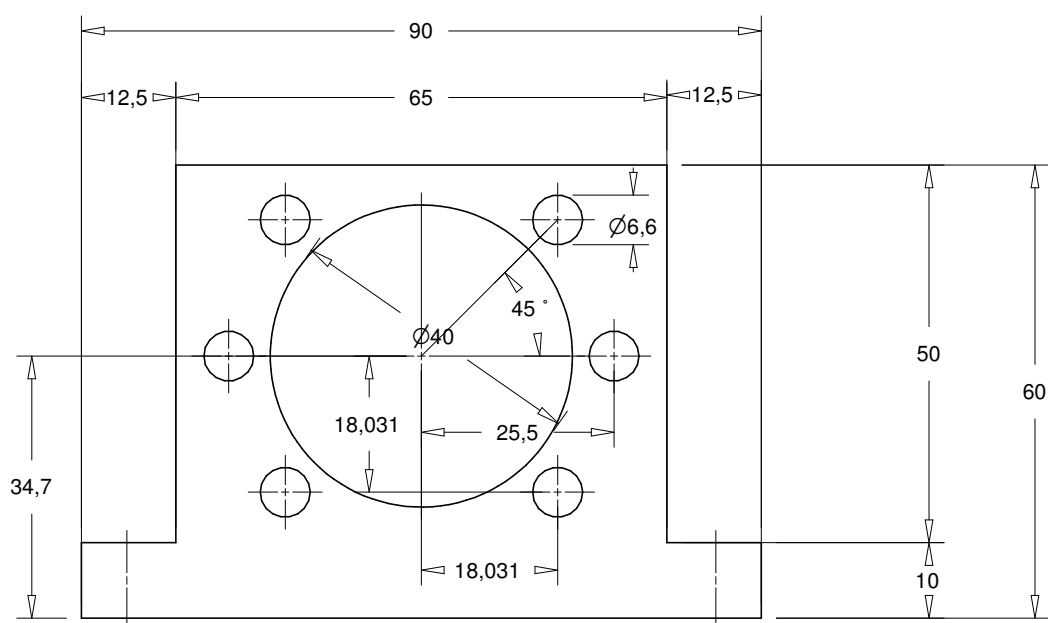
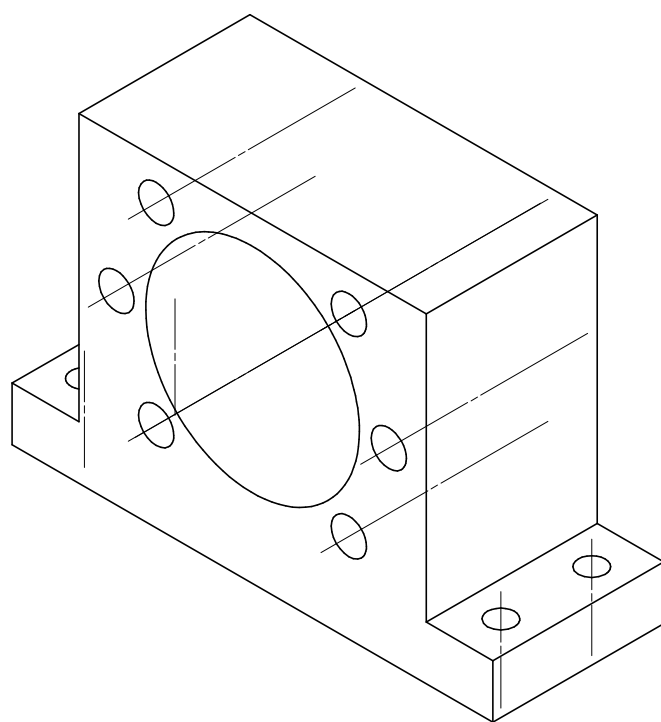


1**2****3****4****5****6****A****B****C****D****E****F****G****H**

Drawn by: gvdw

Client:

Date: 25/05/2015

Material: AlMgSi0.5

Toleranties: DIN7168 mittel

Heading: **Houder Ballscrew Nut**

Formaat: A4

Scale:

Dwg nr.: 150526/08

**CONSTRUCTION
VAN DE WALLE**

J.Parijslaan 30

B-9940 EVERGEM

Belgium

tel: +32.92.53.58.58

fax: +32.92.53.71.72

mailto:ghislain@vdwalle.com